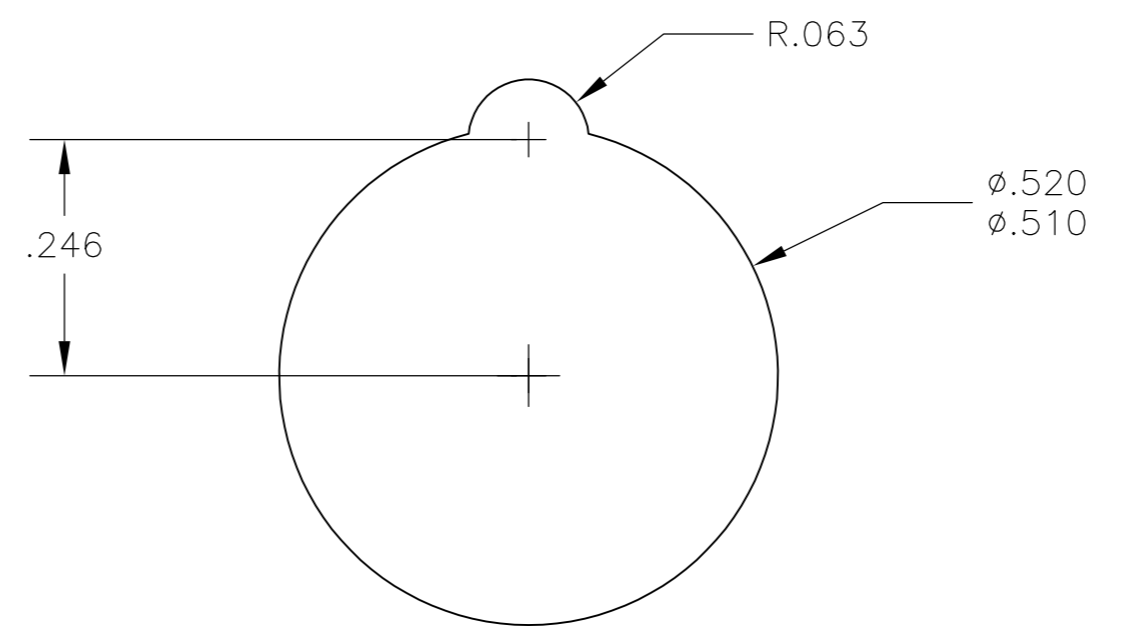


THIS DRAWING IS UNPUBLISHED. RELEASED FOR PUBLICATION  
 © COPYRIGHT BY TYCO ELECTRONICS CORPORATION. ALL INTERNATIONAL RIGHTS RESERVED.

LOC	DIST	REVISIONS					
DF	SO	P	LTR	DESCRIPTION	DATE	DWN	APVD
		L		REV PER ECO-08-019875	15SEP08	PK	DE



RECOMMENDED CUSTOMER BULKHEAD MOUNTING

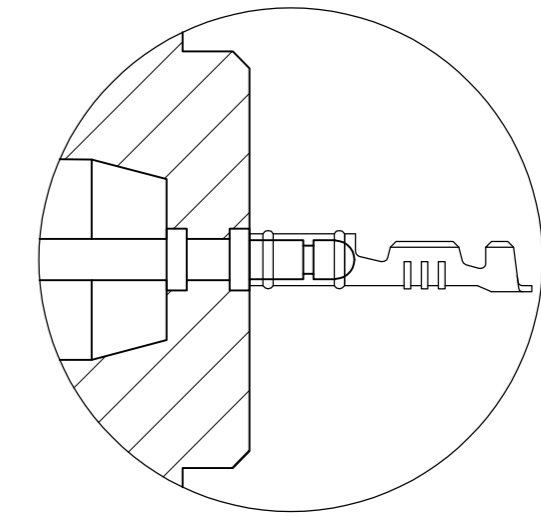


FIG. II

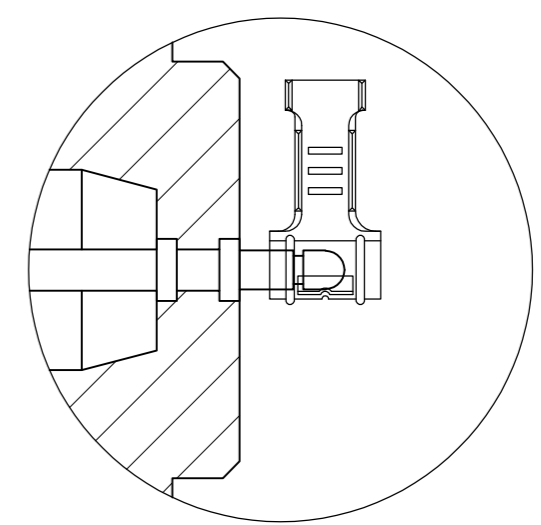


FIG. III

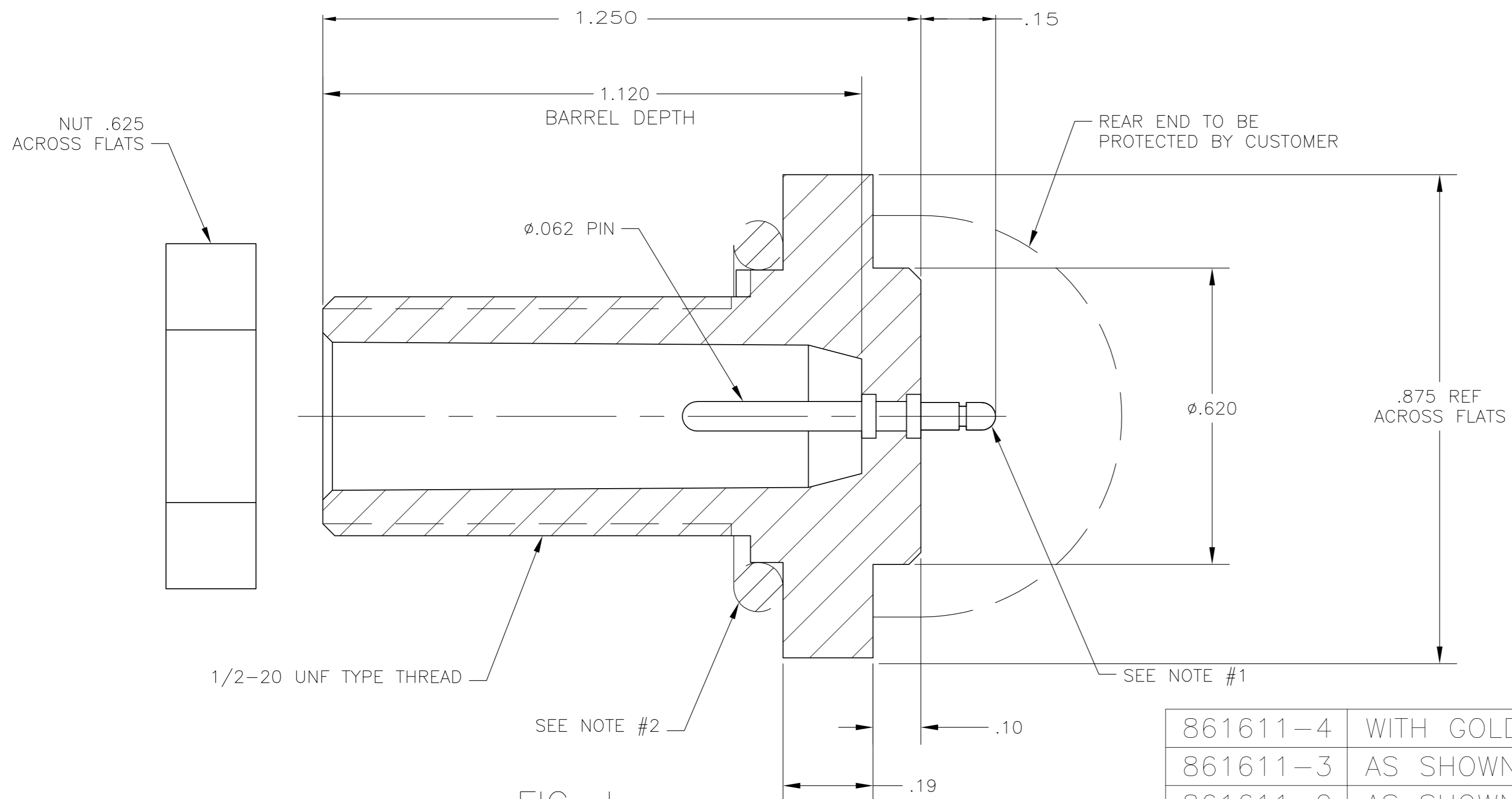


FIG. I

- NOTE:
- DO NOT SOLDER TO PIN: USE SNAP ON SOCKET ONLY.
  - RECOMMENDED "O"RING .612 I.D. X .103 WIDE WHEN REQUIRED (SUPPLIED BY CUSTOMER).
  - USE AMP CRIMP TOOL #90204-1.
  - NUT IS SUPPLIED WITH KIT BUT NOT ASSEMBLED.

PART NO.	DESCRIPTION	FIG. NO.
861611-4	WITH GOLD PLATED STRAIGHT ON SOCKET	II
861611-3	AS SHOWN, WITH RIGHT ANGLE SOCKET	III
861611-2	AS SHOWN, WITH STRAIGHT ON SOCKET	II
861611-1	AS SHOWN, NO SOCKET	I

THIS DRAWING IS A CONTROLLED DOCUMENT.		DWN J. KAISER 1/12/04	Tyco Electronics Corporation Harrisburg, PA 17105-3608	
DIMENSIONS: INCHES	TOLERANCES UNLESS OTHERWISE SPECIFIED:	CHK D. EABY	NAME D. EABY	
	0 PLC ± -	APVD D. EABY	PRODUCT SPEC	
	1 PLC ± -	PRODUCT SPEC	-	
	2 PLC ± .01	APPLICATION SPEC	-	
	3 PLC ± .005		SIZE A2	CAGE CODE 00779
	4 PLC ± -		DRAWING NO C=861611	RESTRICTED TO -
	ANGLES ± -		SCALE 5:1	SHEET 1 of 1
MATERIAL POLYESTER	FINISH BLACK	WEIGHT -	CUSTOMER DRAWING	REV L